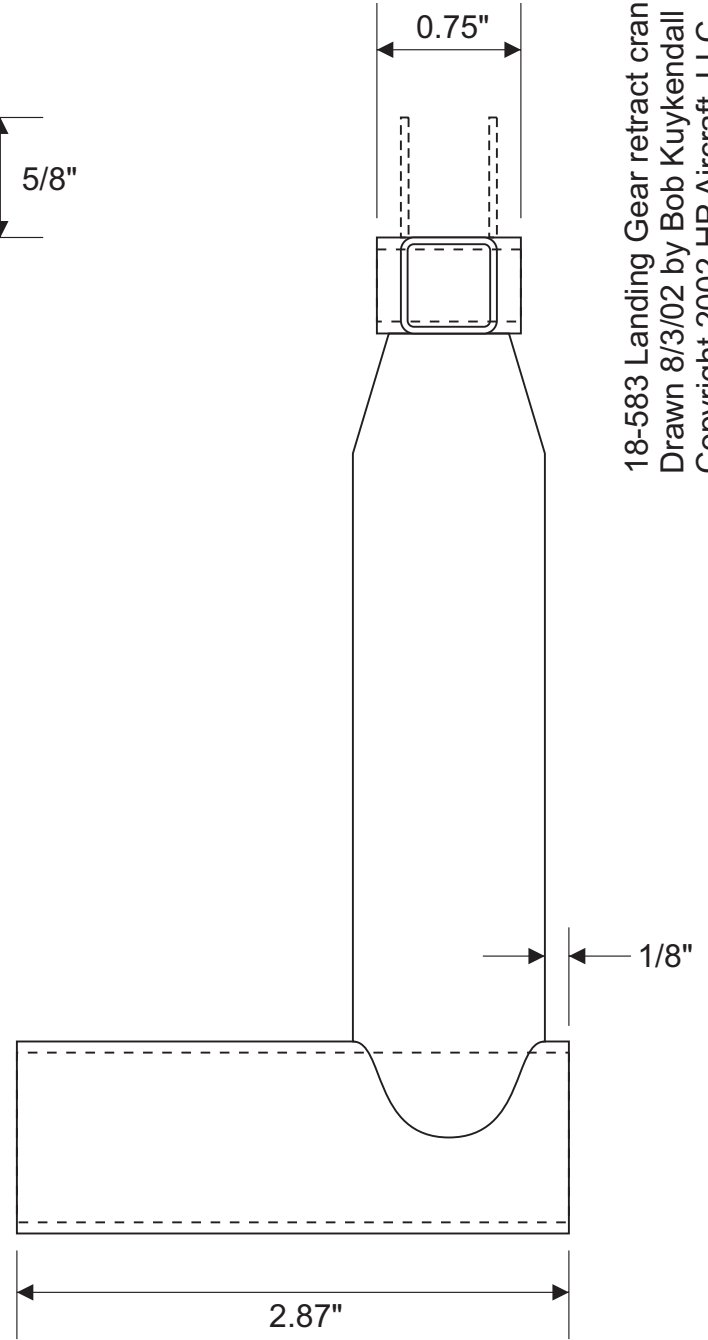
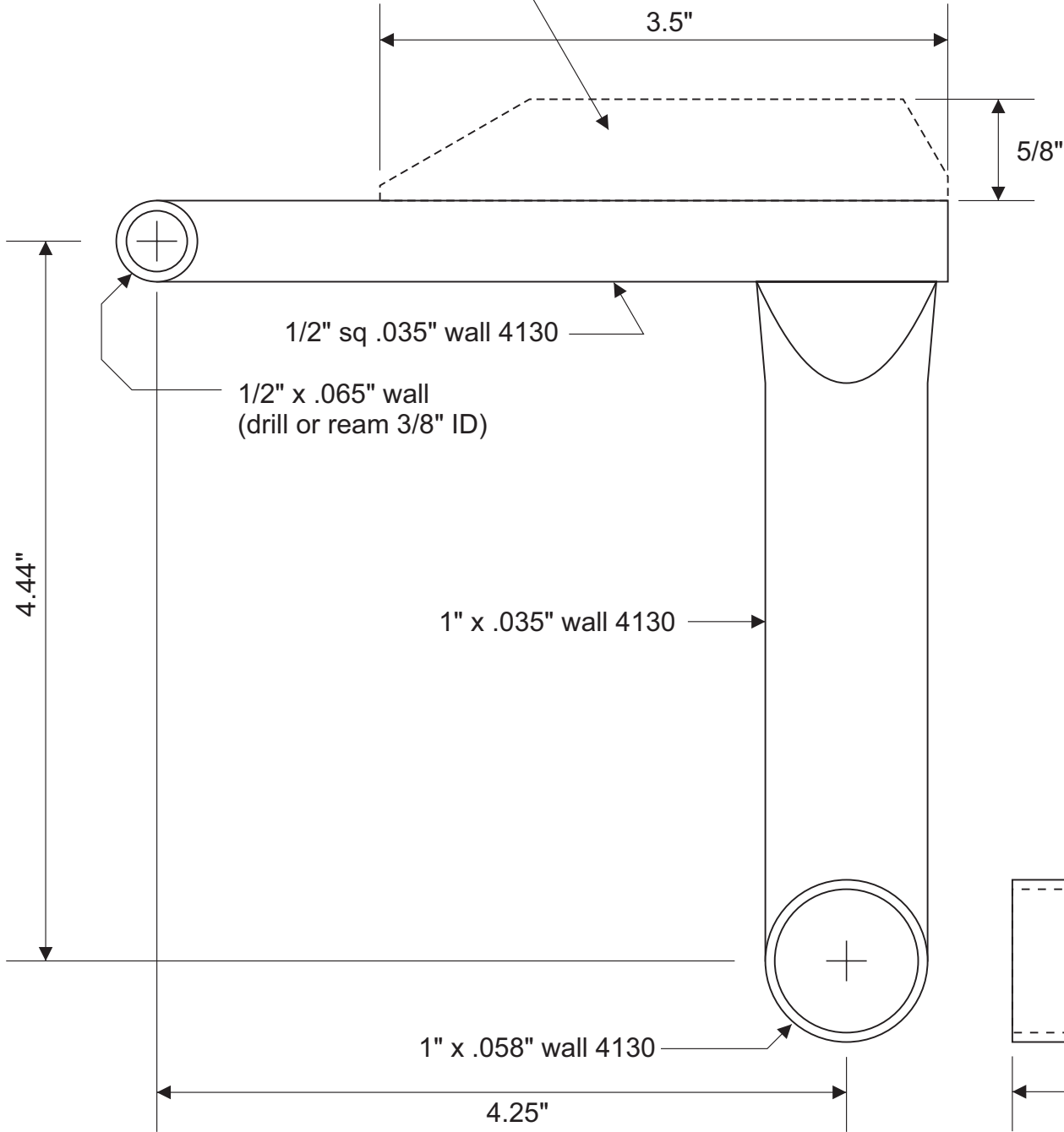


Some operators add
.040 thk gussets as shown



18-583 Landing Gear retract crank
Drawn 8/3/02 by Bob Kuykendall
Copyright 2002 HP Aircraft, LLC
HP-18 design by Richard E. Schreder